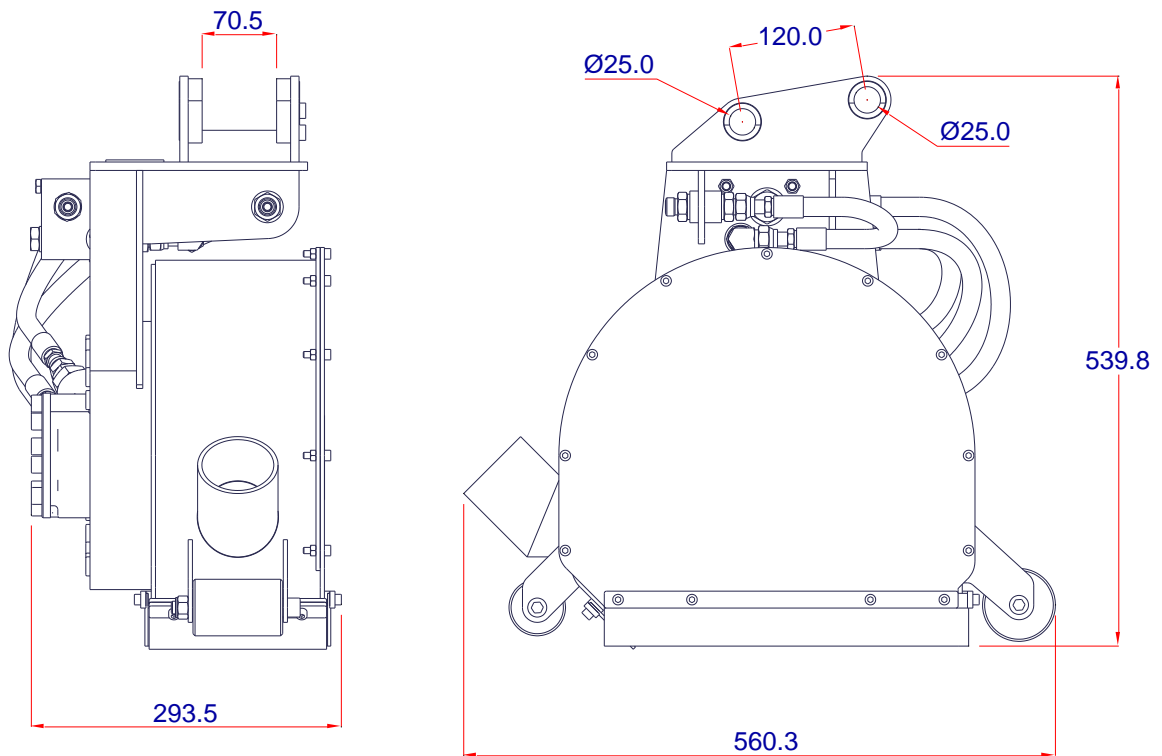


TECHNICAL SPECIFICATIONS ROADRUNNER 200

The Hydraulic Cutting Unit Rockwheel RR200 can be supplied with either asphalt picks or concrete picks.

Hydraulic Power	18 kW
Maximum Oil Flow	90,0 l/min
Optimum Oil Flow	30,0 - 40,0 l/min
Maximum Pressure	400 bar
Drum Speed	75,0 - 101,0 rpm
Operating Weight	140 kg
Excavator Size	1 - 3,5 t
No. of Picks	36 (14,0 mm Shank)
Cutting Depth	10 - 20 mm
Drum Width	170 mm
Cutting Distance from kerb	50 mm





Rockwheel Cutting Units are designed and patented by Webster Technologies Ltd., UK.